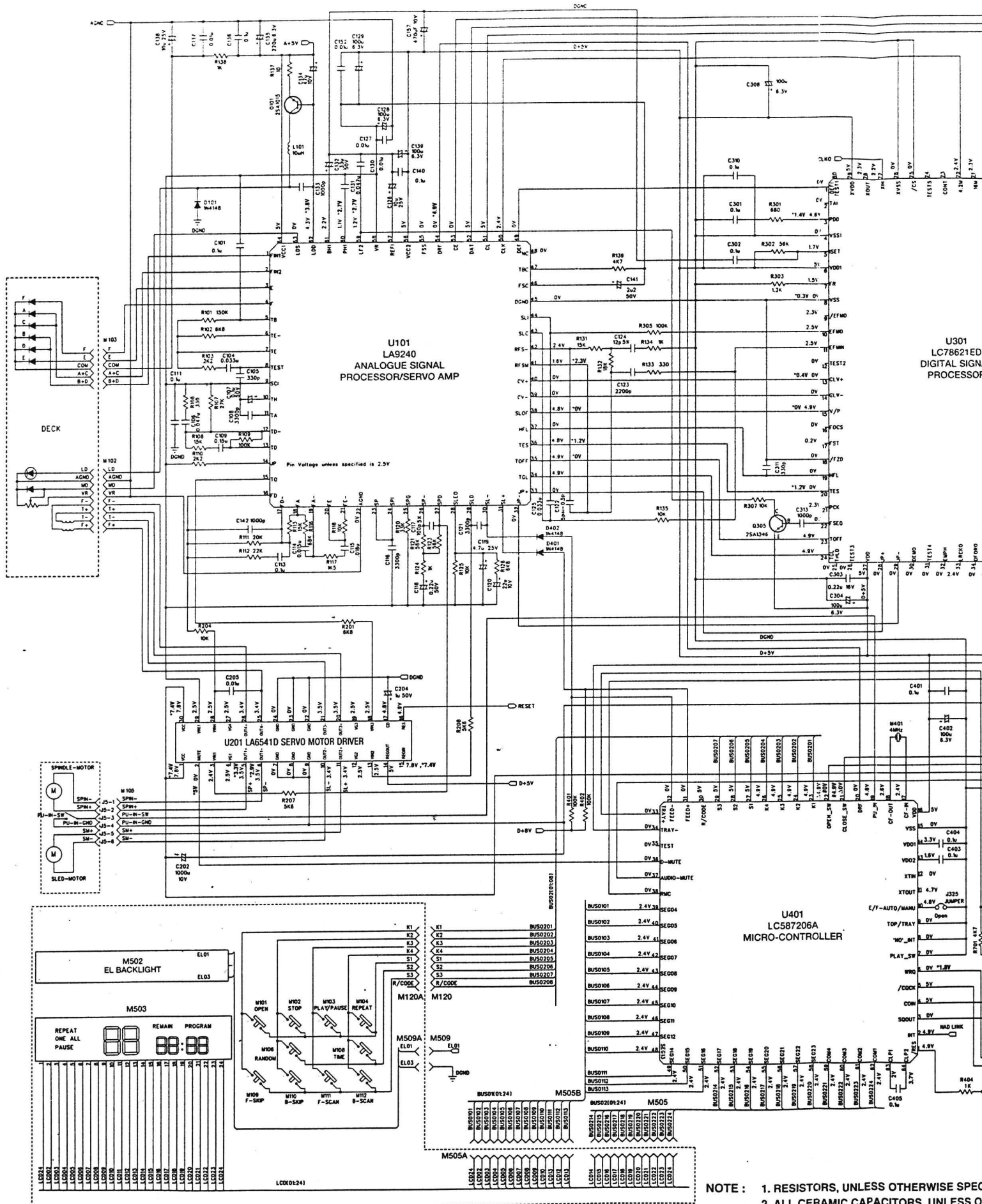
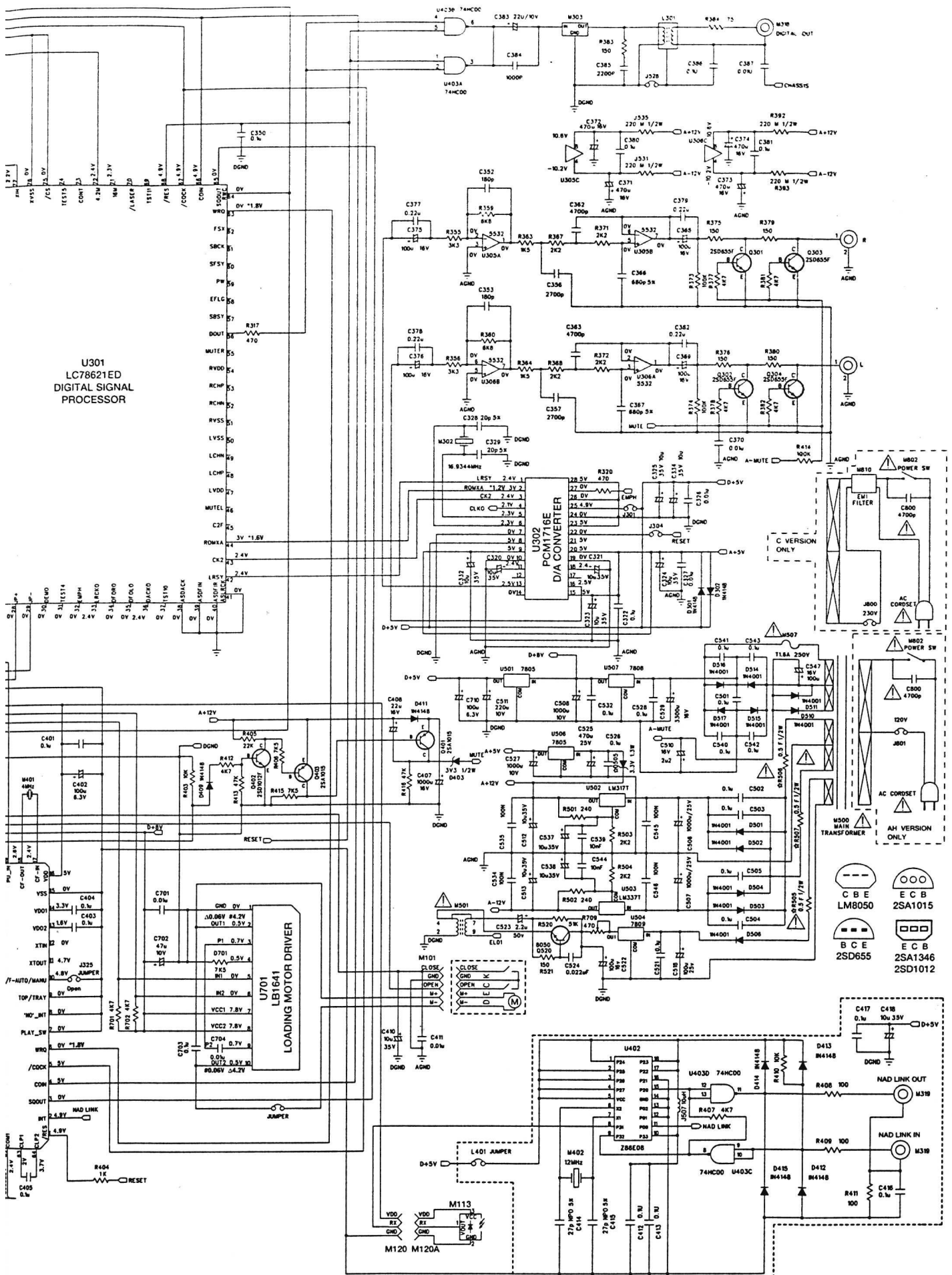


SCHEMATIC DIAGRAM



NOTE : 1. RESISTORS, UNLESS OTHERWISE SPECIFIED
 2. ALL CERAMIC CAPACITORS, UNLESS OTHERWISE SPECIFIED
 3. COMPONENTS MARKED * △ ▲ ARE SA...
 4. COMPONENTS MARKED *+* ARE RAISE...



RESISTORS UNLESS OTHERWISE SPECIFIED, ARE 1/4 WATT.
 CAPACITORS UNLESS OTHERWISE SPECIFIED, ARE 50V, 10%.
 MARKED "▲" ARE SAFETY CRITICAL PARTS.
 MARKED "☆" ARE RAISED 10MM FROM PCB.
 PIN 1 ON THE IC'S PIN WHICH DOES NOT HAS MARKING IS IN STOP
 MODE. "I" IS PLAY MODE, "*" IS TRAY OPEN MODE AND "Δ" IS

RESISTORS : M - METAL FILM
 F - FUSIBLE
 CARBON FILM UNLESS OTHERWISE SPECIFIED.